

1  Look, number and write. 2  Colour. 3  Listen and check. Sing.

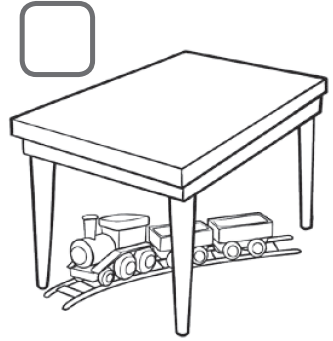
under in behind on

Where's my ball?

It's here (1) in the bag.

Here _____ the bag,

Here _____ the bag.



Where's my teddy?

It's here (2) _____ the chair.

Here _____ the chair,

Here _____ the chair.

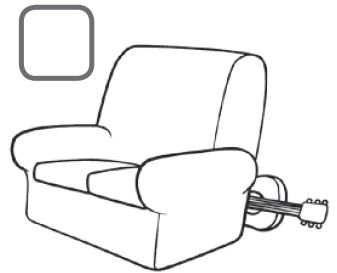


Where's my train set?

It's (3) _____ the table.

_____ the table,

_____ the table.



Where's my guitar?

It's (4) _____ the sofa.

_____ the sofa, _____ the sofa.